

O'assist

ANALYSIS & DIAGNOSIS



ENJOY YOUR POOL !

This connected float analyses the water in your pool and provides treatment instructions via the subscription-free application.

ANALYSIS :

- ✓ Every 30 minutes
- ✓ Chlorine, Bromine, pH and temperature analysis
- ✓ Directly into the pool

DIAGNOSIS :

- ✓ a 3-days weather forecast
- ✓ Specific instructions
- ✓ Management advice

designed for pools in chlorine, bromine or salt



COMPLETE PACK including :

- ✓ O'assist float
- ✓ O'access antenna
- ✓ 1 calibration solution
- ✓ 4 AAA batteries
- ✓ Quick start guide

WARRANTY :

- ✓ Electronic unit : 2 years
- ✓ pH/ORP sensors : 1 year

ideal for both in-ground and above-ground pools!



directly placed in your swimming pool

cost-effective & compatible with pool cover

free application no subscription



TECHNICAL SPECIFICATIONS :

- ✓ Roller shutter compatible
- ✓ Autonomy up to 2 seasons
- ✓ Combined pH/ORP probe (electrolysis compatible)
- ✓ Tightness IP68
- ✓ Dimensions ØxH : 110 mm / 190 mm
- ✓ Weight : 0,7 kg
- ✓ Operating temperature: 0°C to 50°C

CONNECTIVITY :

- ✓ Radio connection LoRa™ in private network (Maximum range 800 m)
- ✓ Bluetooth® Smart 4.0 Low Energy (Range 10 m)
- ✓ Free IOS / Android / Web app
- ✓ Update via Bluetooth® connection



WWW.MELCONNECT.FR
POOL.MELCONNECT.FR

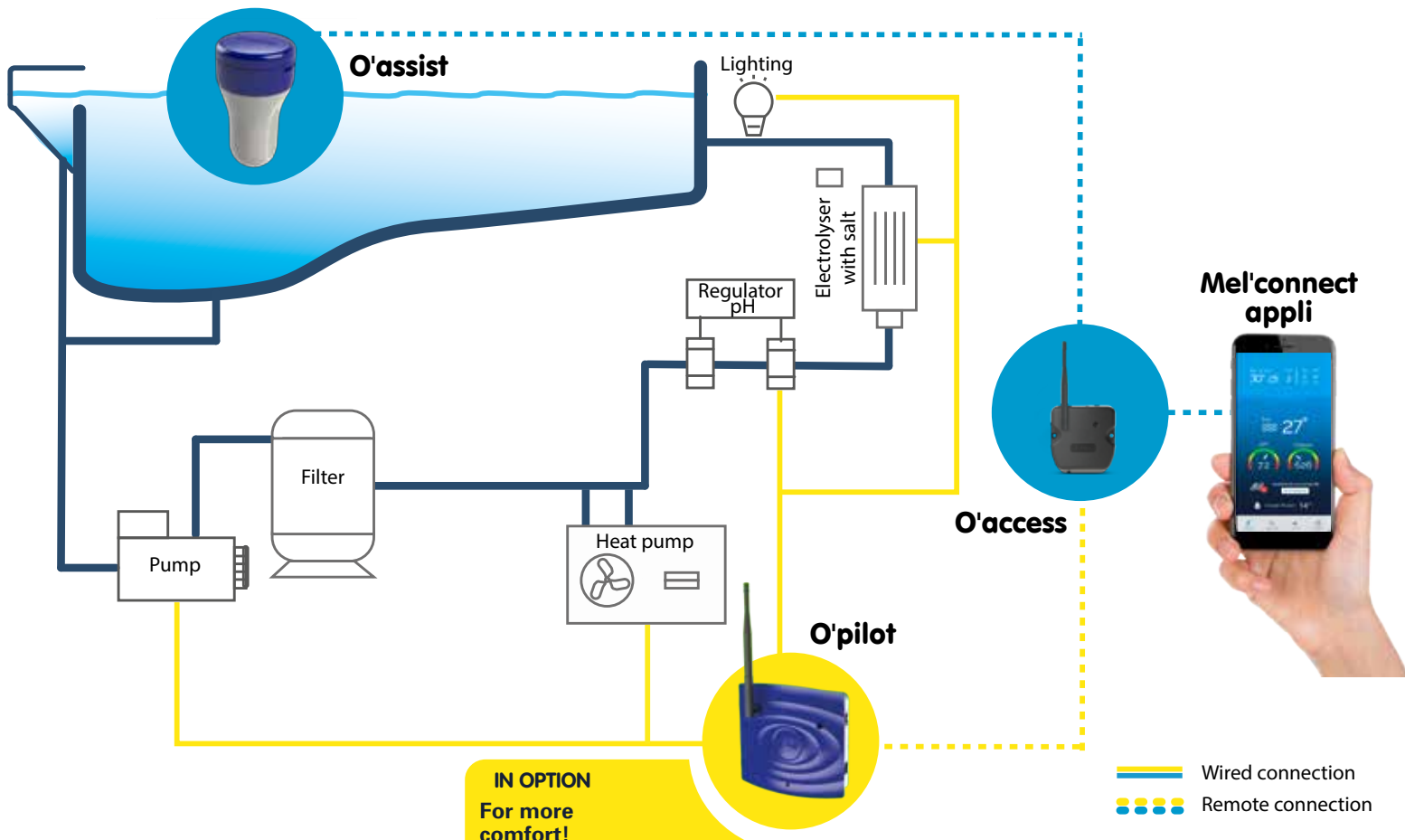
FABRIQUE EN FRANCE



Distributed by Ocedis
69 allée des Peupliers
ZI de Fétan
01600 TRÉVOUX - FRANCE
+33 (0) 4 74 08 50 50

INSTALLATION

- ✓ Download the **Mel'connect** application.
- ✓ Place the supplied batteries in your **O'assist**.
- ✓ Install and connect **O'access** inside your home near your internet box.
- ✓ Activate Bluetooth® on your smartphone.
- ✓ Launch the application and create your personal account.
- ✓ Connect the **O'access** antenna and follow the instructions on the app.
- ✓ Connect your **O'assist** module.
- ✓ LoRa connection test
- ✓ Let's go!



IN OPTION
For more comfort!
 All your equipments wired or Bluetooth.
 Connected via Mel'connect app.

— Wired connection
 - - - Remote connection

INSTRUCTIONS FOR USE :

- ✓ Configure your swimming pool in few clicks on the appl.
- ✓ Calibrate your **O'assist** and place it in your pool.
- **O'assist** measures the main parameters of your pool every 30 minutes.
- Notifications sent on your phone only if necessary.
- Access instructions with a simple click.
- Follow the instructions to easily treat your water before it turns green!
- Even more understandable data on the web platform **pool.melconnect.fr**